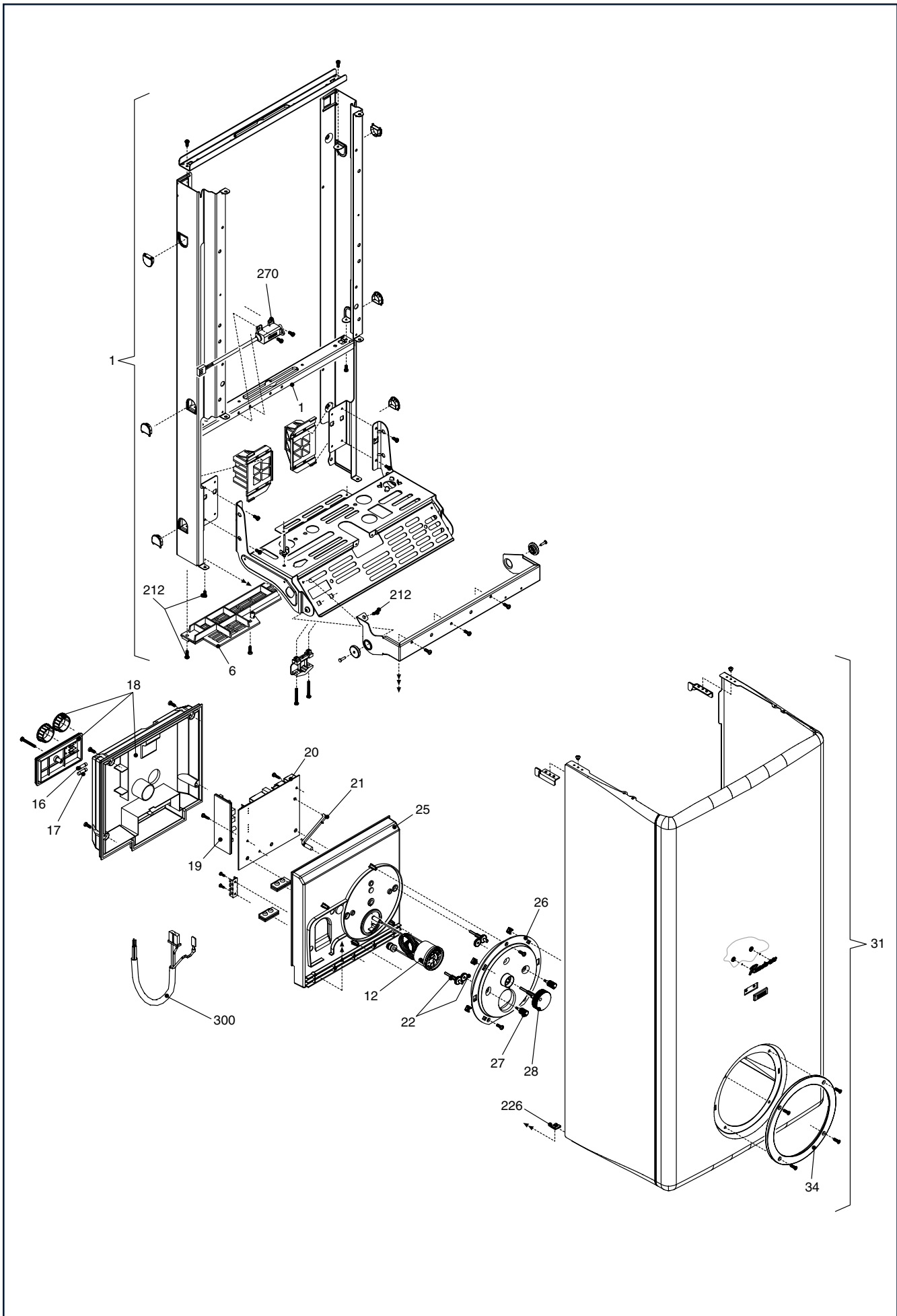


Wall hung boilers

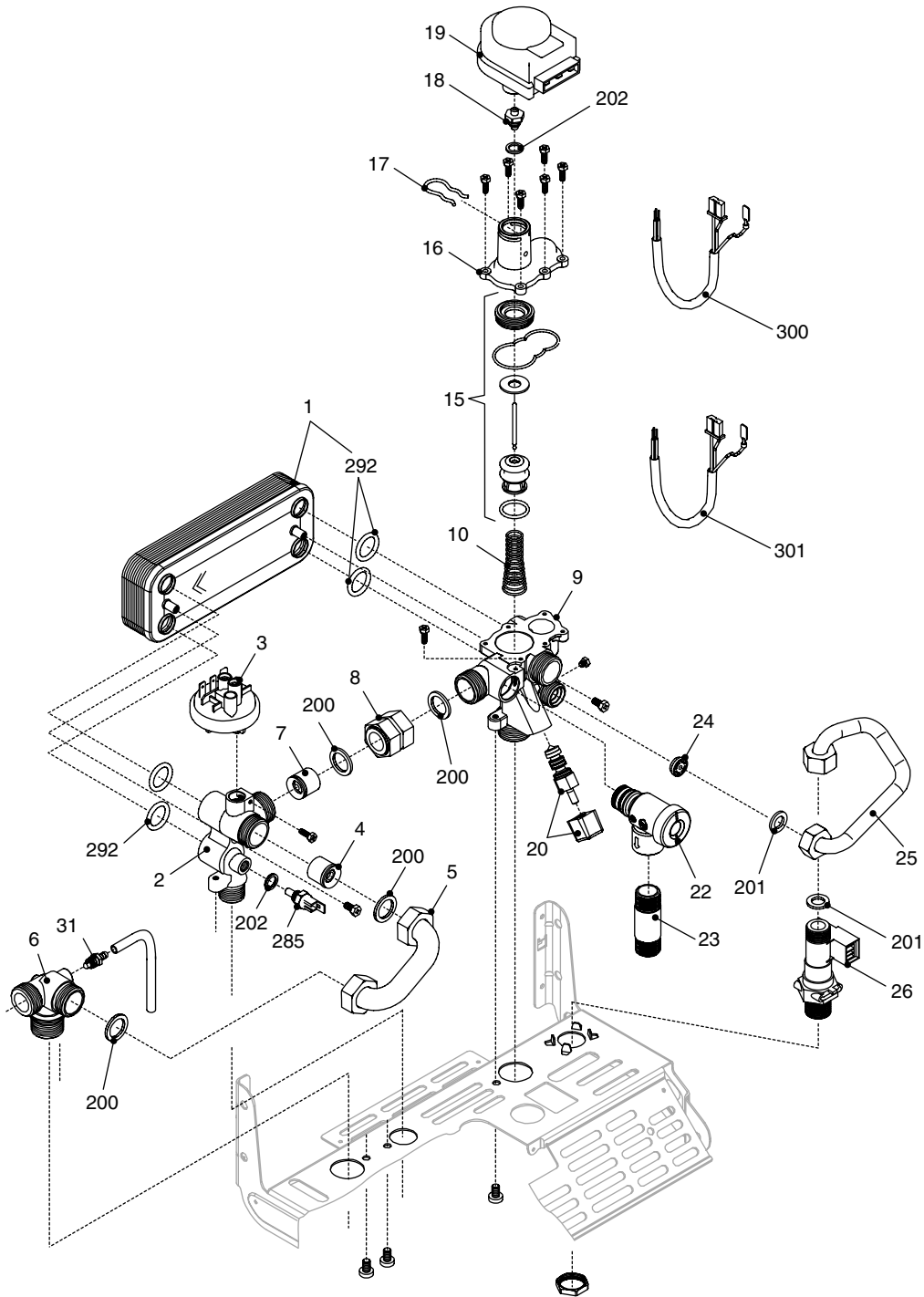
Residence



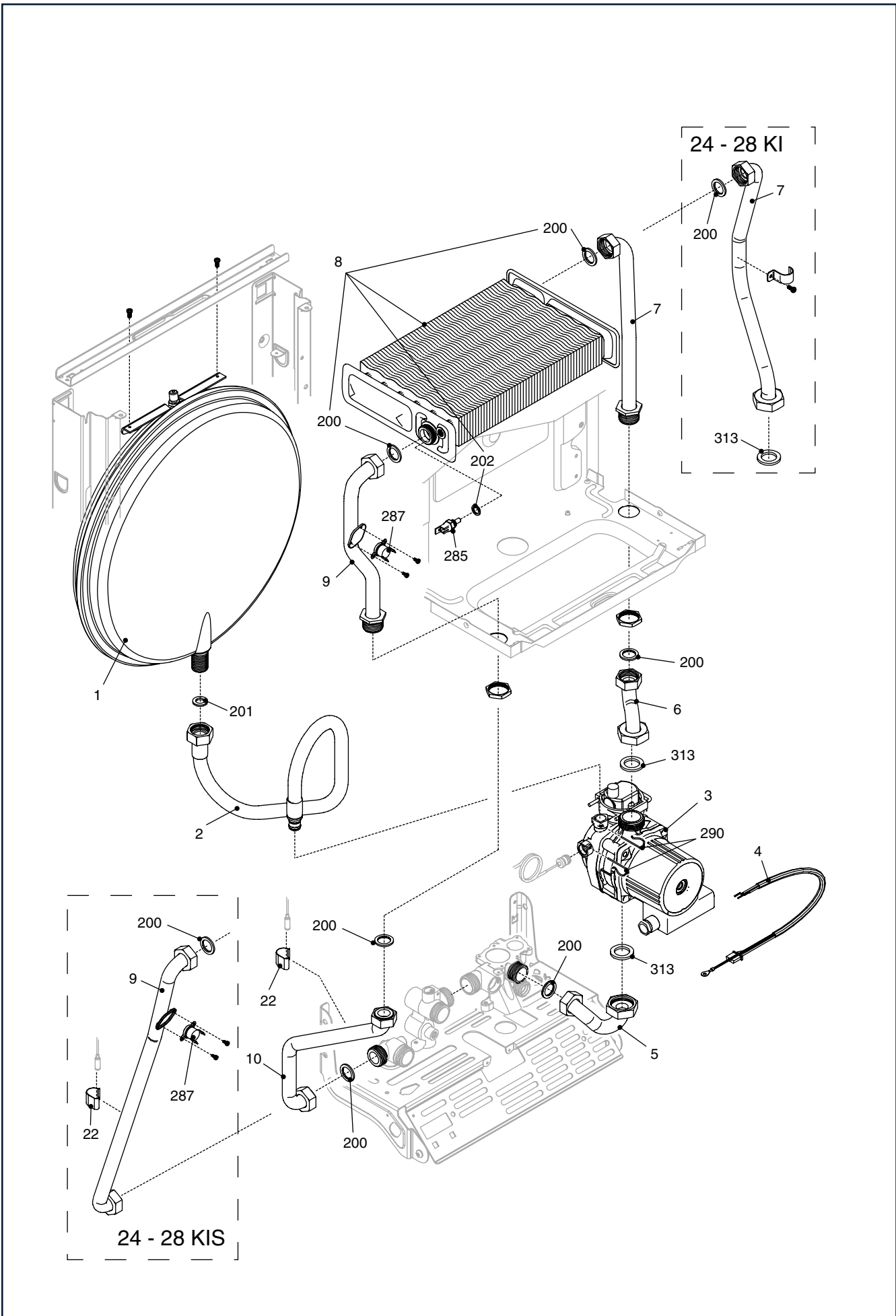
MODEL	PART NUMBER
	MTN
RESIDENCE 24 KI	2970023 (1LS)
RESIDENCE 28 KI	2970033 (1MS)
RESIDENCE 24 KIS	2970043 (1NS)
RESIDENCE 28 KIS	2970053 (1OS)



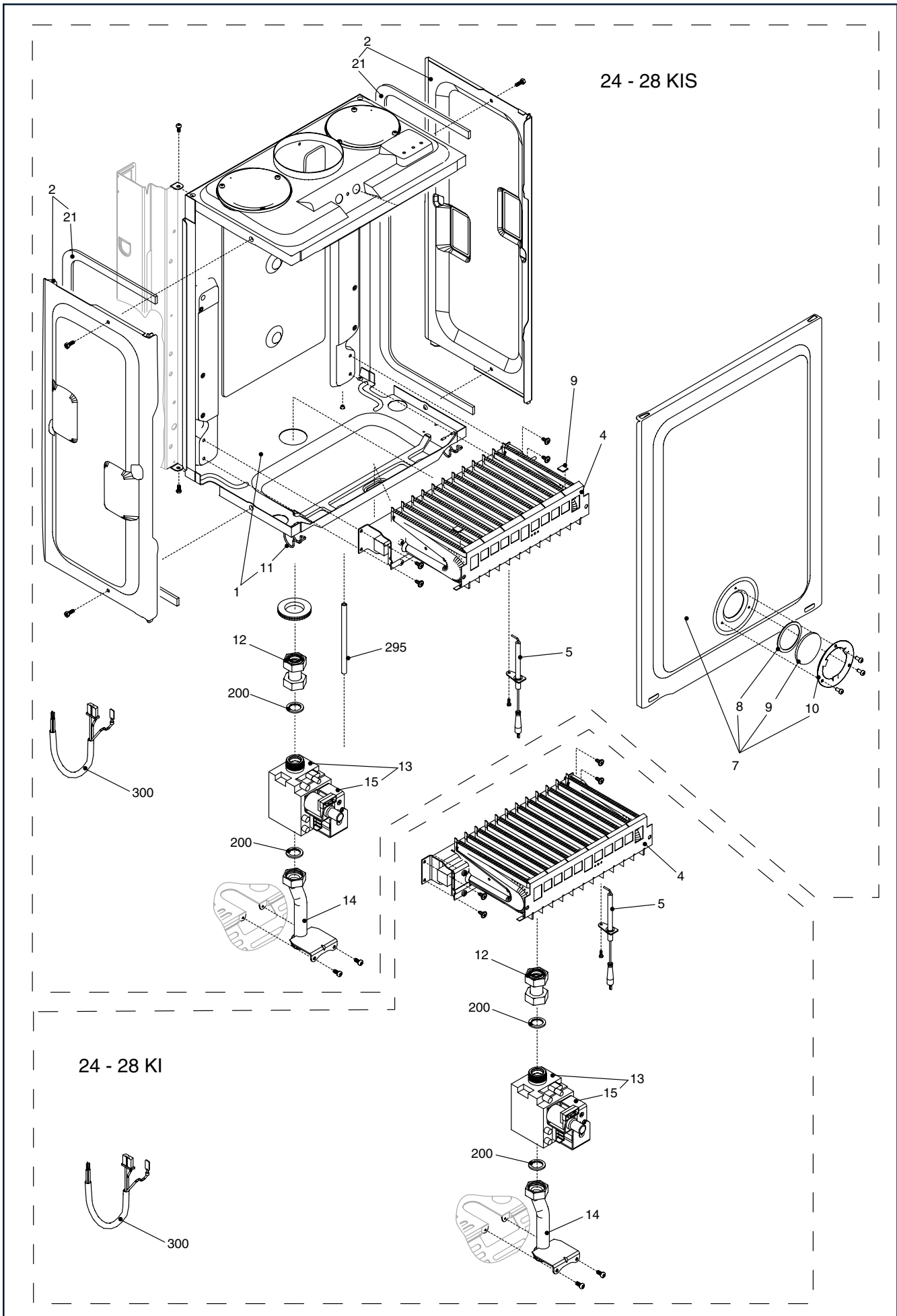
POS.	DESCRIPTION	24 KI	28 KI	24 KIS	28 KIS
1	Frame assembly	R01005230	R01005205	R01005230	R01005205
6	Guard	R1913	R1913	R1913	R1913
12	Thermo pressure gauge	R10023432	R10023432	R10023432	R10023432
16	2A Fuse	R8968	R8968	R8968	R8968
17	100mA Fuse	R1947	R1947	R1947	R1947
18	Cover	R10022422	R10022422	R10022422	R10022422
19	Ignition module	R10022174	R10022174	R10022174	R10022174
20	Printed circuit board	R10022426	R10022426	R10022426	R10022426
21	Led light guide	R10022417	R10022417	R10022417	R10022417
22	Shaft	R10022424	R10022424	R10022424	R10022424
25	Cover	R10023315	R10023315	R10023315	R10023315
26	Front panel	R10023317	R10023317	R10023317	R10023317
27	Knob	R10022419	R10022419	R10022419	R10022419
28	ON/OFF knob	R10023316	R10023316	R10023316	R10023316
31	Case assembly	R10022428	R10022464	R10022428	R10022464
34	Fixing flange	R10022430	R10022430	R10022430	R10022430
226	Clip	R5128	R5128	R5128	R5128
270	Tranformer	R10021272	R10021272	R10021272	R10021272
300	Wiring harness	R10021407	R10021407	R10021407	R10021407



POS.	DESCRIPTION	24 KI	28 KI	24 KIS	28 KIS
1	Domestic water heat exchanger	R8036	R8037	R8036	R8037
2	Connection	R2042	R2042	R2042	R2042
3	Pressure switch	R2044	R2044	R2044	R2044
4	Non return valve	R2908	R2908	R2908	R2908
5	Pipe	R10022379	R10022379	R10022379	R10022379
6	Connection	R10021952	R10021952	R10021952	R10021952
7	By-pass valve	R2047	R2047	R2047	R2047
8	Pipe	R2043	R2043	R2043	R2043
9	Heating distributor manifold	R10021954	R10021954	R10021954	R10021954
10	Spring	R10020574	R10020574	R10020574	R10020574
15	Three way Kit	R01005127	R01005127	R01005127	R01005127
16	Three way cover	R10020335	R10020335	R10020335	R10020335
17	Fixing fork	R2906	R2906	R2906	R2906
18	OR union assembly braket	R6919	R6919	R6919	R6919
19	Motorized valve	R2905	R2905	R2905	R2905
20	Filling cock	R10021006	R10021006	R10021006	R10021006
22	Safety valve	R10020632	R10020632	R10020632	R10020632
23	Connection	R10022753	R10022753	R10022753	R10022753
24	Blue flow governor	R8009	R9430	R8009	R9430
25	Pipe	R10022382	R10022382	R10022382	R10022382
26	DHW actuator	R10022348	R10022348	R10022348	R10022348
31	Venting plug kit	R01005137	R01005137	R01005137	R01005137
200	Washer	R5023	R5023	R5023	R5023
201	Washer	R5026	R5026	R5026	R5026
202	Washer	R5041	R5041	R5041	R5041
285	NTC sensor	R8484	R8484	R8484	R8484
292	O ring	R7999	R7999	R7999	R7999
300	Wiring harness	R10022456	R10022456	R10022456	R10022456
301	Wiring harness	R10022458	R10022458	R10022458	R10022458



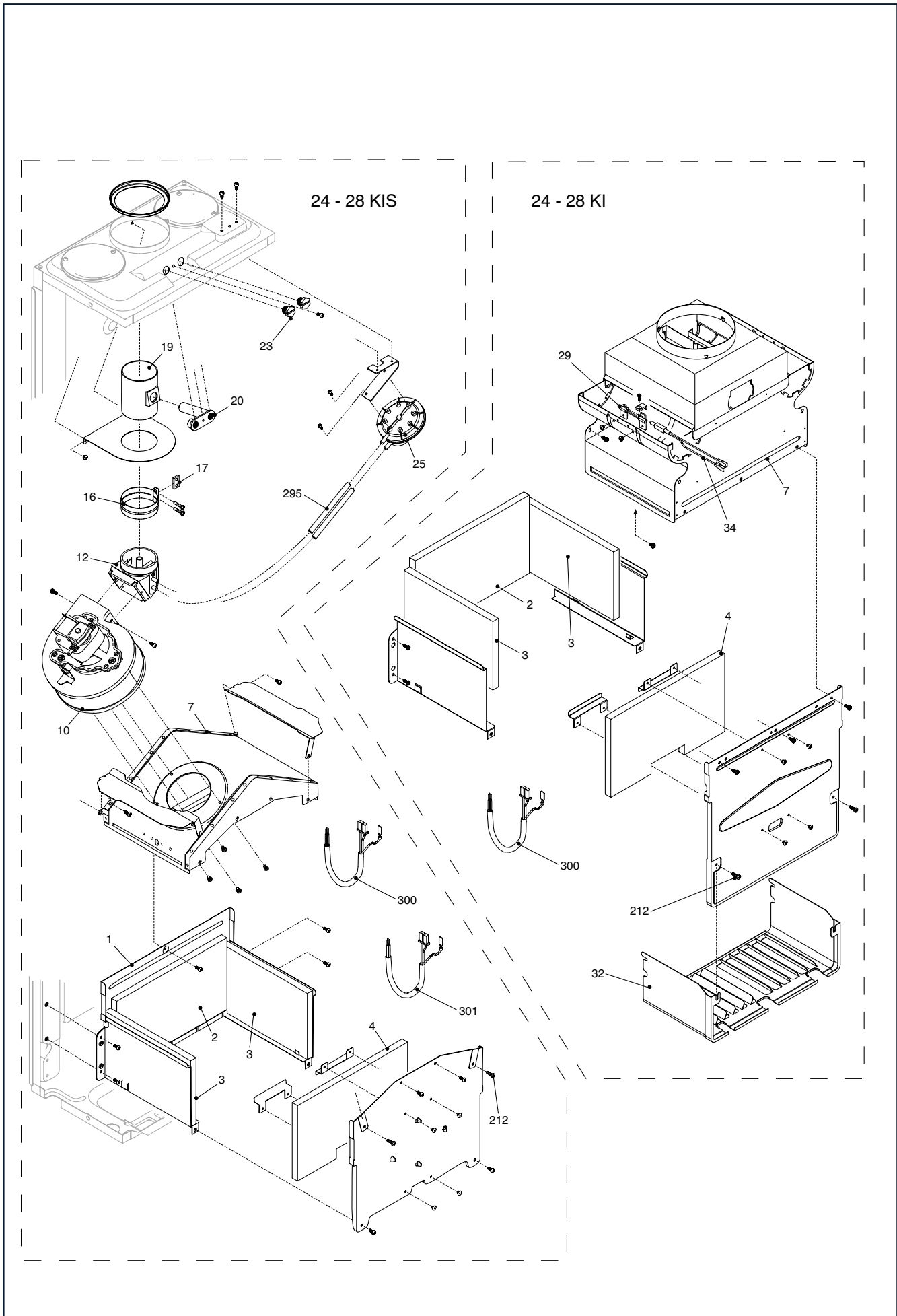
POS.	DESCRIPTION	24 KI	28 KI	24 KIS	28 KIS
1	Expansion vessel	R2204	R2204	R2204	R2204
2	Flexible pipe	R2164	R2164	R2164	R2164
3	Pump	R10022049	R10022049	R10022049	R10022049
4	Pump cable	R10022461	R10022461	R10022461	R10022461
5	Pipe	R10022296	R10022296	R10022296	R10022296
6	Pipe	-	-	R10022066	R10022090
7	Pipe	R10022486	R10022490	R2167	R2167
8	Heat exchanger	R2381	R2378	R2381	R2378
9	Pipe	R10022485	R10022489	R2166	R2166
10	Pipe	-	-	R10022381	R10022383
22	Clip	R3412	R3412	R3412	R3412
200	Washer	R5023	R5023	R5023	R5023
201	Washer	R5026	R5026	R5026	R5026
202	Washer	R5041	R5041	R5041	R5041
285	NTC sensor	R8484	R8484	R8484	R8484
287	Limit thermostat	R2258	R2258	R2258	R2258
290	Clip	R2165	R2165	R2165	R2165
313	Washer	R9732	R9732	R9732	R9732



BURNER

Drawing 4

POS.	DESCRIPTION	24 KI	28 KI	24 KIS	28 KIS
1	Air box bottom	-	-	R2072	R2073
2	Air box side	-	-	R1549	R1549
4	Burner MTN	R10020104	R10020106	R5295	R5317
5	Spark sensing electrode	R10022027	R10022027	R10022027	R10022027
9	Burner plate	-	-	R5172	R5172
11	Clip	-	-	R0442	R0442
12	Gas pipe	R2680	R2680	R2680	R2680
13	Gas valve	R10021021	R10021021	R10021021	R10021021
14	Gas pipe	R2679	R2679	R2679	R2679
15	Gas valve solenoid	R10020838	R10020838	R10020838	R10020838
16	Cover	-	-	R10020216	R10020217
17	Wacher	-	-	R5072	R5072
18	Glass	-	-	R3139	R3139
19	Flange	-	-	R4007	R4007
21	Washer	-	-	R5905	R5905
200	Washer	R5023	R5023	R5023	R5023
295	Silicone tube	-	-	R1457	R1457
300	Wiring harness	R10022459	R10022459	R10022459	R10022459
-	NG Conversion kit	R01005168	R01005168	R01005172	R01005172
-	LPG Conversion kit	R01005171	R01005171	R01005173	R01005173



COMBUSTION COMPONENTS

Drawing 5

POS.	DESCRIPTION	24 KI	28 KI	24 KIS	28 KIS
1	Combustion chamber assembly	-	-	R6027	R6028
2	Back insulating panel	R5270	R5316	R5270	R5316
3	Lateral insulating panel	R5271	R5271	R5271	R5271
4	Front insulating panel	R5269	R5315	R5269	R5315
7	Hood assembly	R9721	R5311	R1842	R5907
10	Fan	-	-	R6491	R6492
12	Fan connector	-	-	R10023181	R10023183
16	Clamp for tube	-	-	R5916	R5916
17	Washer	-	-	R5917	R5917
19	Fan flue connection	-	-	R8083	R8083
20	Combustion analysis check point	-	-	R8085	R8085
23	Cap	-	-	R8086	R8086
25	Pressure differential switch	-	-	R01005272	R01005272
29	Fumes thermostat support	R7126	R7126	-	-
32	Combustion chamber bottom side	R10024609	R10024608	-	-
34	Fumes thermostat	R10020108	R10020108	-	-
212	Screw	R5080	R5080	R5080	R5080
295	Silicone tube	-	-	R1457	R1497
300	Wiring harness	R10022487	R10022487	R10022457	R10022457
301	Wiring harness	-	-	R10022455	R10022455

RIELLO

Riello reserve the right to change the specifications without prior notice.
Consumers' statutory rights are not affected.