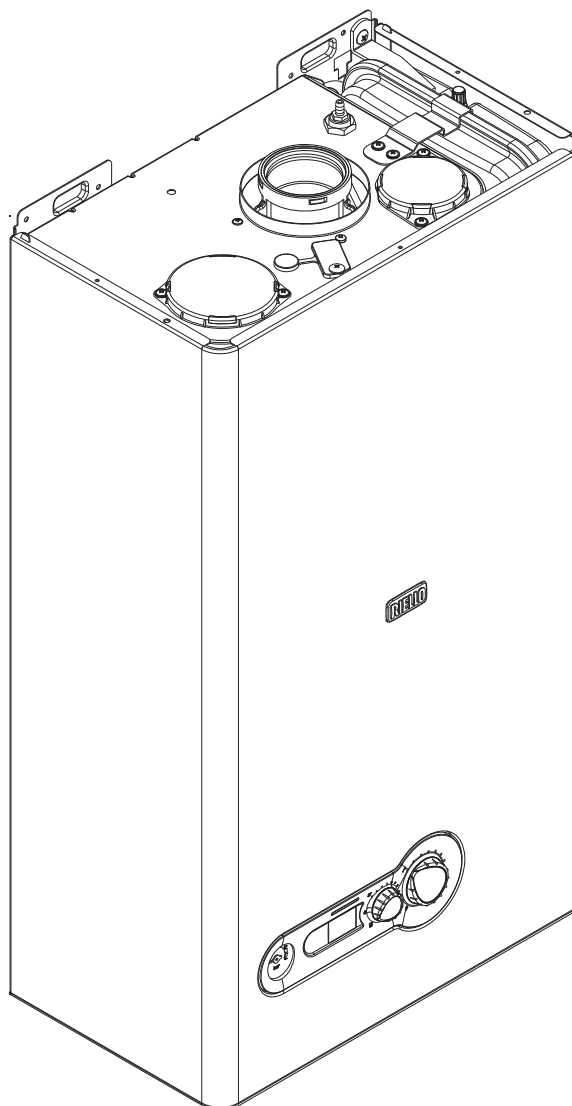
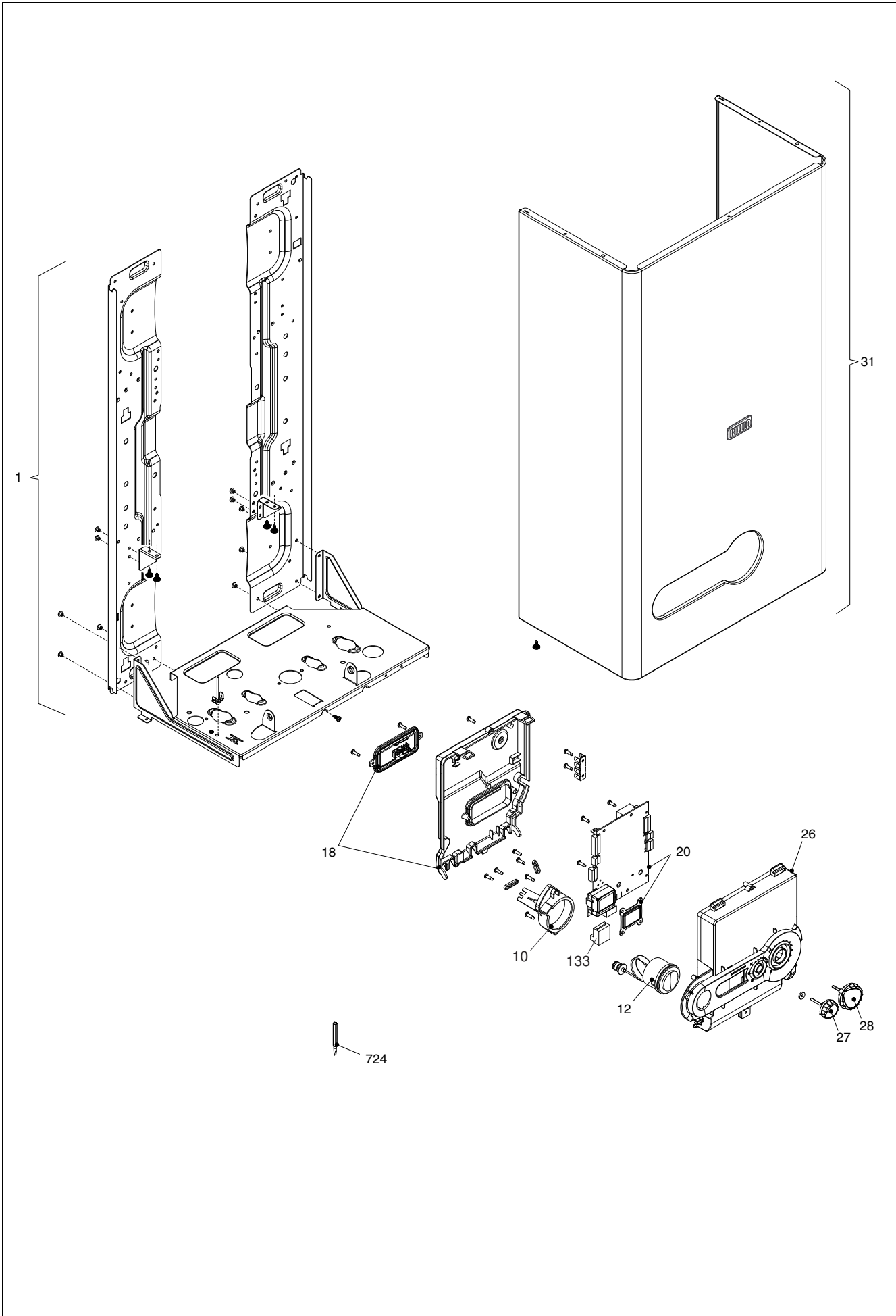


Wall hung boilers

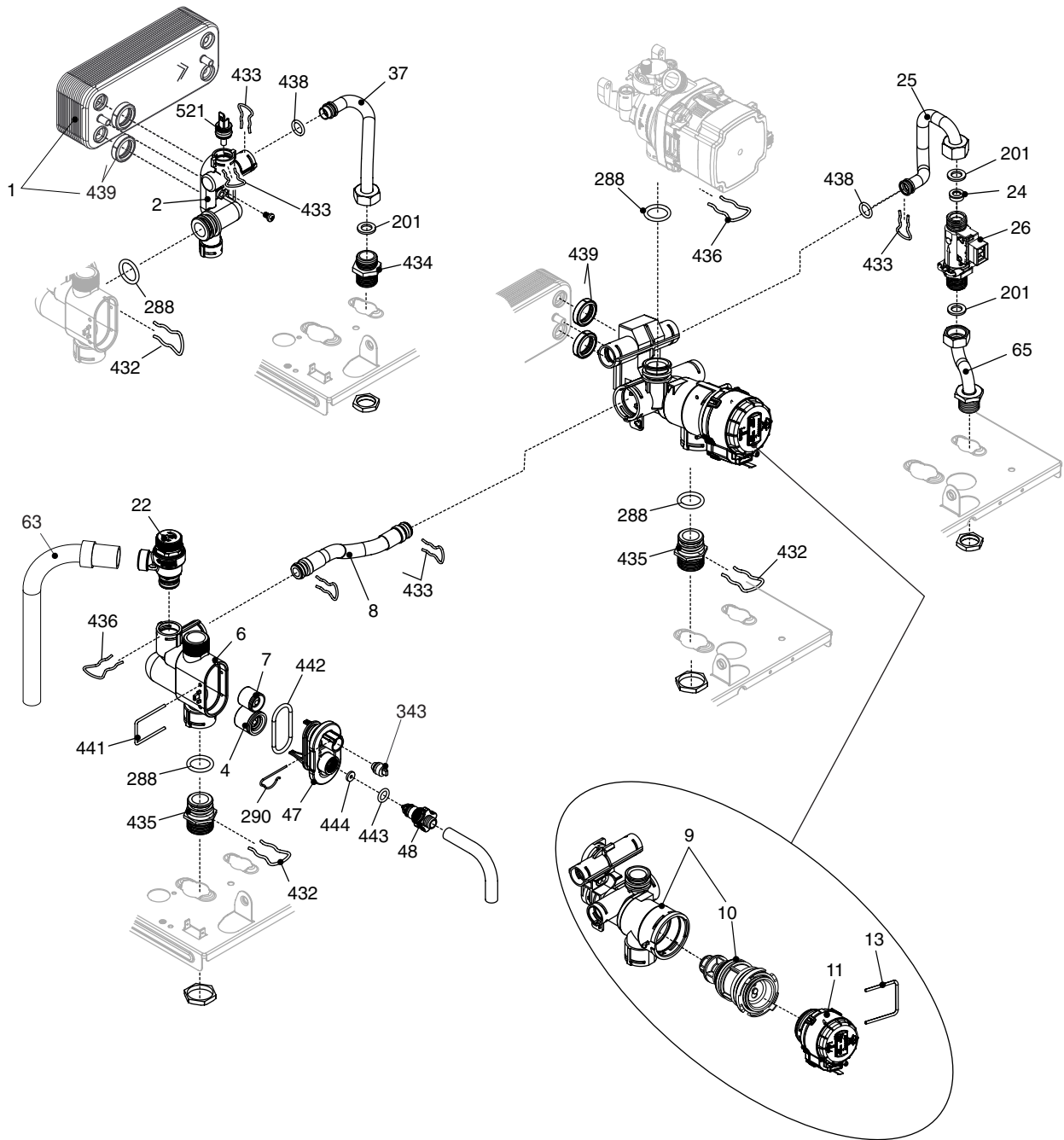
Start Condens 29 Kis



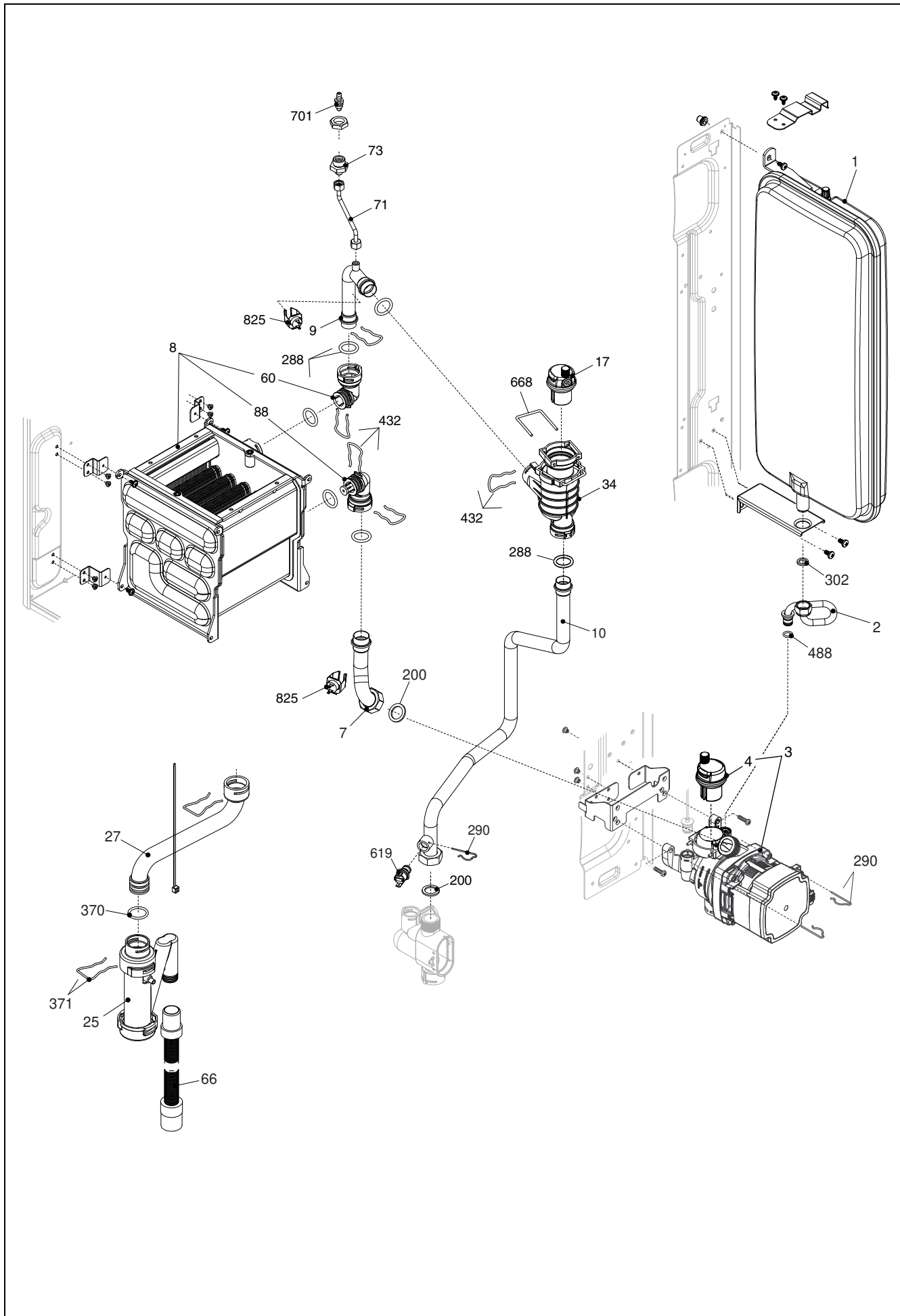
MODEL	PART NUMBER	
	MTN	GPL
Start Condens 29 KIS	20114907	-



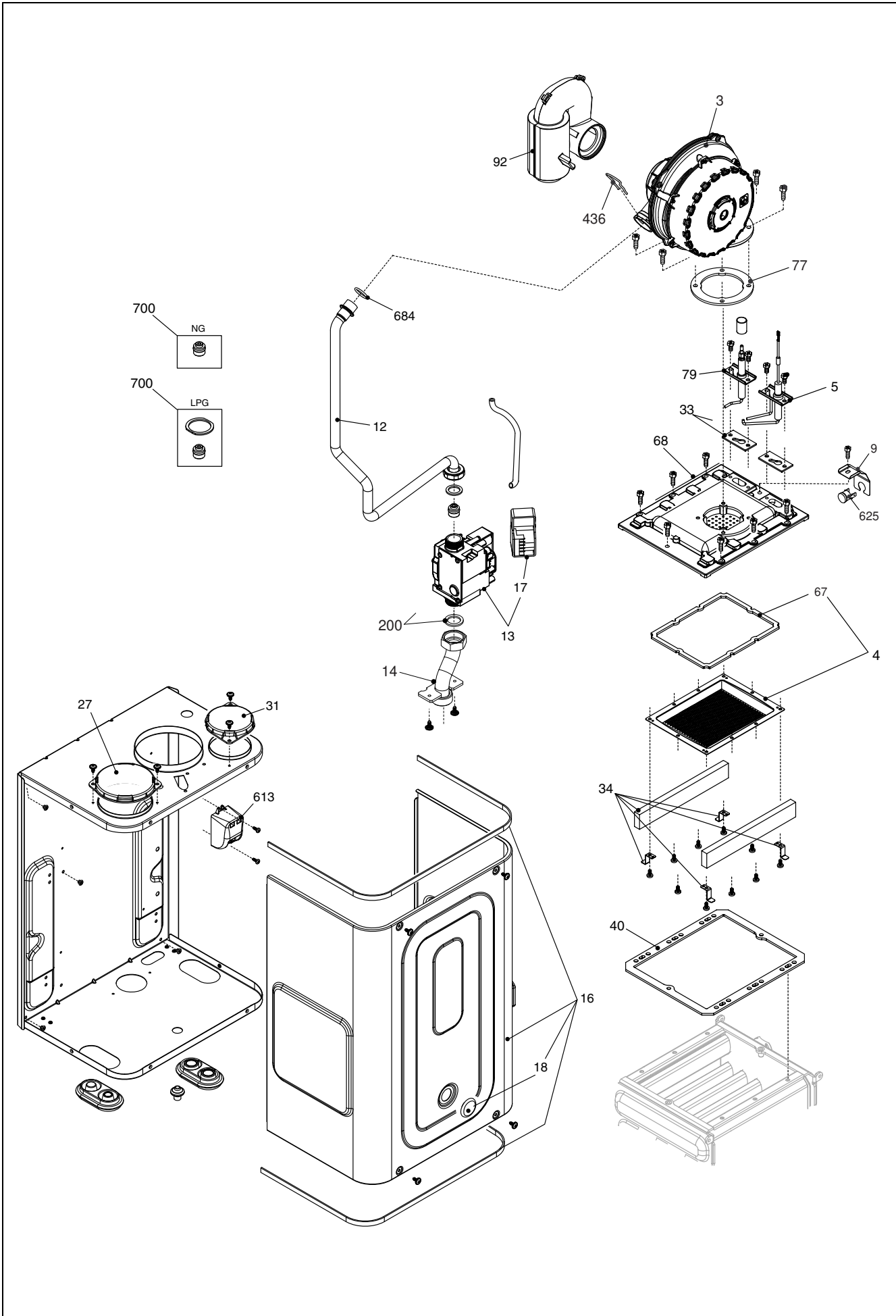
POS.	DESCRIPTION	29kis
2	Frame	4R001618
10	Water gauge carrier	4R103380
12	Pressure gauge	4R000955
18	Control panel cover	4R102838
20	Printed circuit board	4R003125
26	Instrumental panel	4R104038
27	Knob	4R000958
28	Knob	4R000959
31	Case Assembly	4R002813
133	Connector	4R100735
724	Calibration screwdriver	4R001075



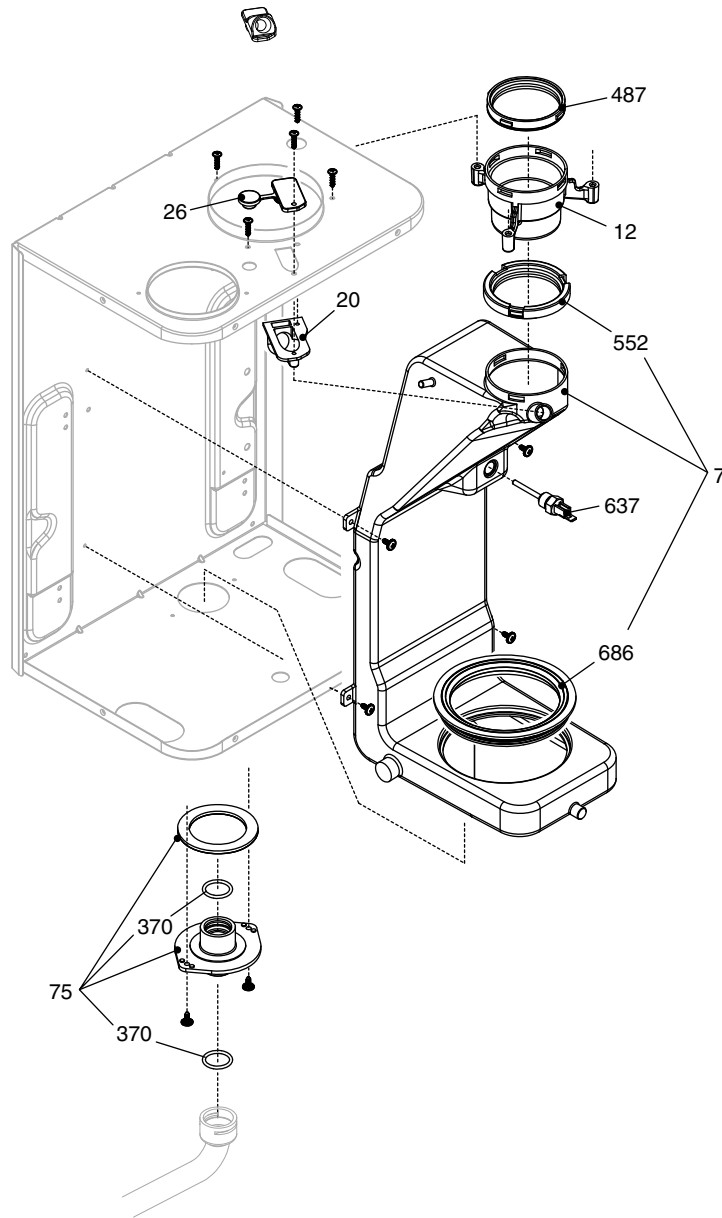
POS.	DESCRIPTION	29kis
1	Exchanger	4364201
2	Connection	4R103869
4	Non return valve	4365749
6	By-pass casing	4365750
7	High head by-pass valve	4365043
8	Pipe	4365732
9	Valve with cartridge	4366914
10	Cartridge	4R001062
11	Actuator	4366916
13	Clip	4366918
20	Filling cock	4R001342
21	Knob	4R001617
22	Safety valve	4R001077
24	Flow governor	4365824
25	Pipe	4365733
26	Dhw actuator	4R100477
37	Pipe	4366917
47	Cover for by-pass assembly	4365753
48	Cock	4365752
63	Pipe	4365759
65	Pipe	4365736
201	Washer	4363391
288	O ring	4364282
290	Clip	4364751
343	Pump plug	4365161
432	Clip	4365623
433	Clip	4365761
434	Nipple	4365762
435	Fitting/union	4365763
436	Clip	4365764
438	O ring	4365766
439	Washer	4365767
441	Clip	4365768
442	O ring	4365769
443	O ring	4365770
444	Washer	4365771
521	NTC sensor	4365765



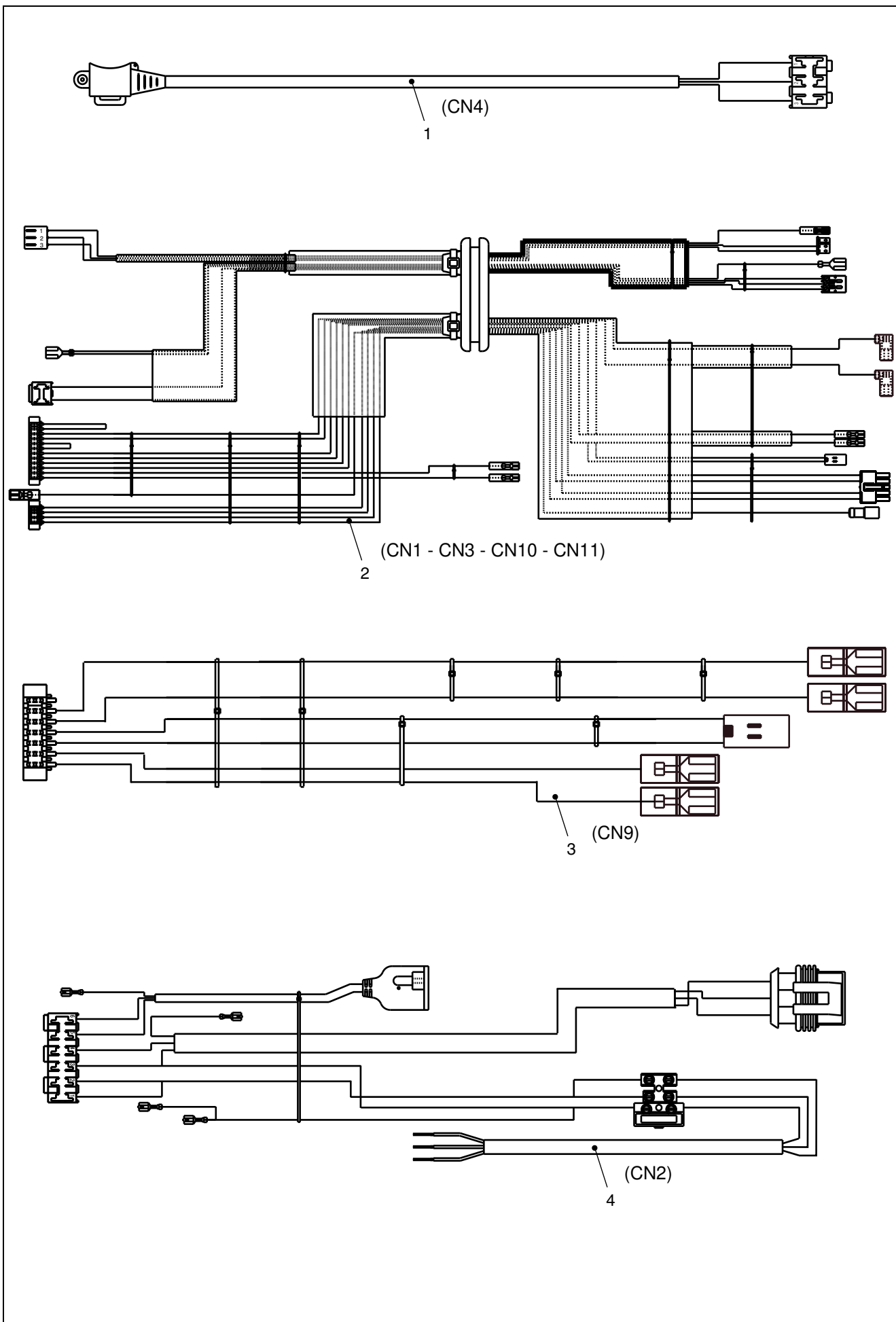
POS.	DESCRIPTION	29kis
1	Expansion vessel	4R000058
2	Pipe	4366919
3	Pump	4R102836
4	Air vent bottle	4365707
7	Pipe	4R001079
8	Condensing exchanger assembly	4R002986
9	Pipe	4R102316
10	Pipe	4R002812
17	Air vent valve	4366956
25	Siphon	4R001080
27	Condensation outlet tube kit	4R001084
34	Degasser kit	4R001159
60	Connection	4R001085
66	Flexible pipe	4R001086
71	Pipe	4R001087
73	Cock	4366067
88	Connection	4R001088
200	Washer	4363389
288	O ring	4364282
290	Clip	4364751
302	Washer	4363390
370	O ring	4365406
371	Clip	4365407
432	Clip	4365623
488	O ring	4364959
619	Pressure	4366853
668	Clip	4366963
701	Vent plug	4365159
825	NTC Detector	4R101035



POS.	DESCRIPTION	29kis
3	Integrated fan	4R101875
4	Burner	4R002987
5	Spark ignition electrode	4R001089
9	Clip	4R102251
12	Gas pipe	4R001090
13	Gas valve	4R000835
14	Pipe	4366886
15	Gas valve solenoid	4R000824
16	Combustion chamber cover	4366983
18	Plug	4366984
27	Hole cover	4366888
31	Hole cover	4R001615
33	Electrode seal	4R001091
34	Protection	4R002988
40	Heat exchanger seal (29kw)	4R002989
67	Burner seal (29kw)	4R104017
68	Cover	4R002990
77	Washer	4R001093
79	Flame sensor electrode	4R001094
92	Silencer	4R001095
200	Washer	4363389
436	Clip	4365764
613	Ignition transformer	4366419
625	High limit thermostat	4366881
680	Washer	4367112
700	Ng conversion kit	4R103860
700	LPG conversion kit	4R103861
700	G230 Conversion kit	4R103443



POS.	DESCRIPTION	29kis
7	Conveyor	4R001097
12	Flue drain connection	4365881
20	Outlet nut	4R001098
26	Plug	4R001099
75	Flue cllector	4R001100
370	O ring	4365406
487	Washer Ø 60	4365889
552	Washer Ø 60	4366238
637	Flue sensor	4366463
686	Washer	4R001101



POS.	DESCRIPTION	29kis
1	Hydraulic control cable	4366912
2	Combustion cable	4R001102
3	Low tension cable	4R001108
4	Power wiring harness	4R102837

RIELLO

Riello reserve the right to change the specifications without prior notice.
Consumers' statutory rights are not affected.