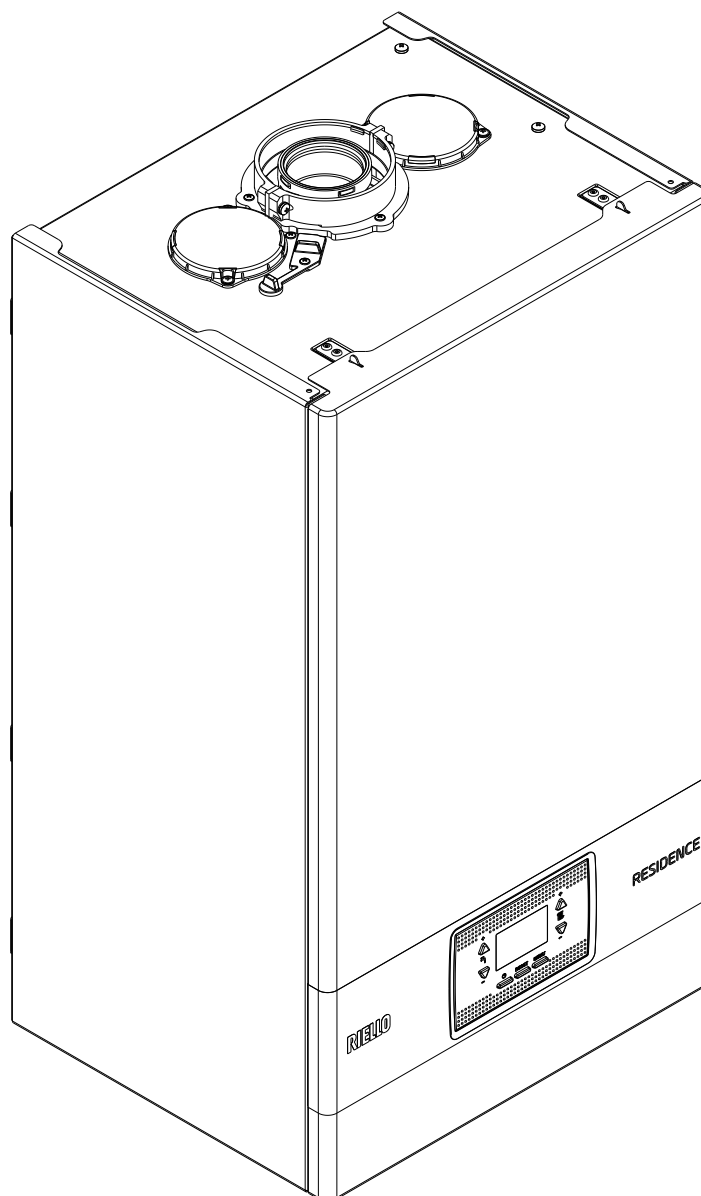
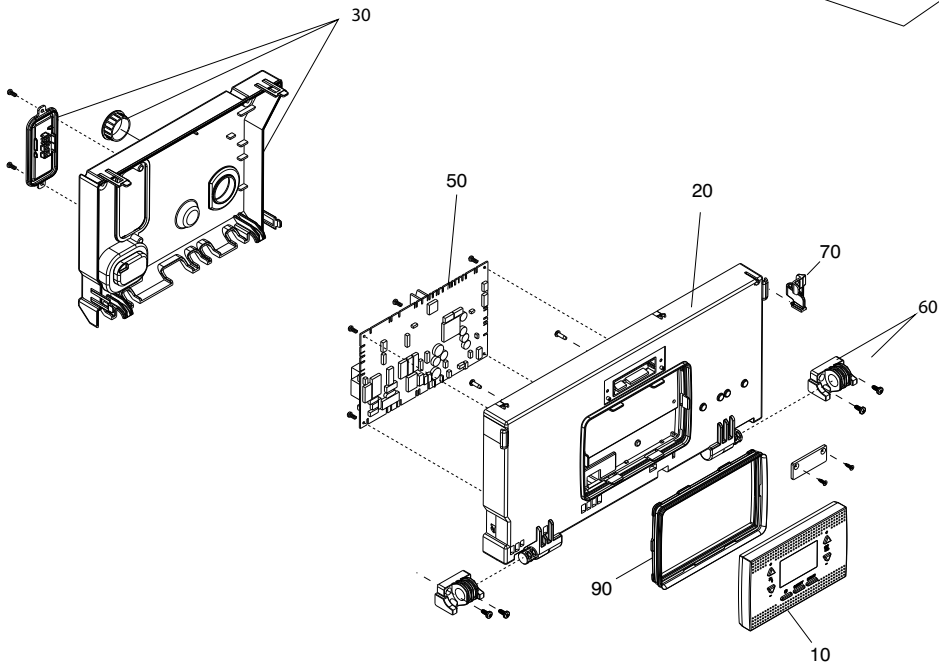
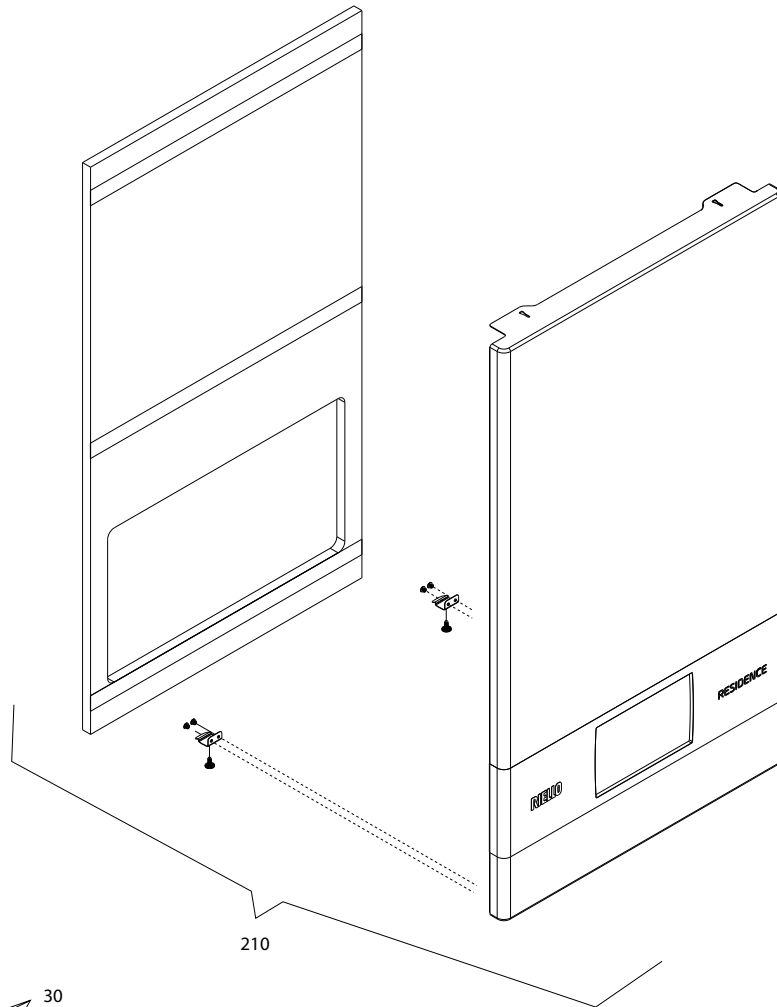


## Wall hung boilers

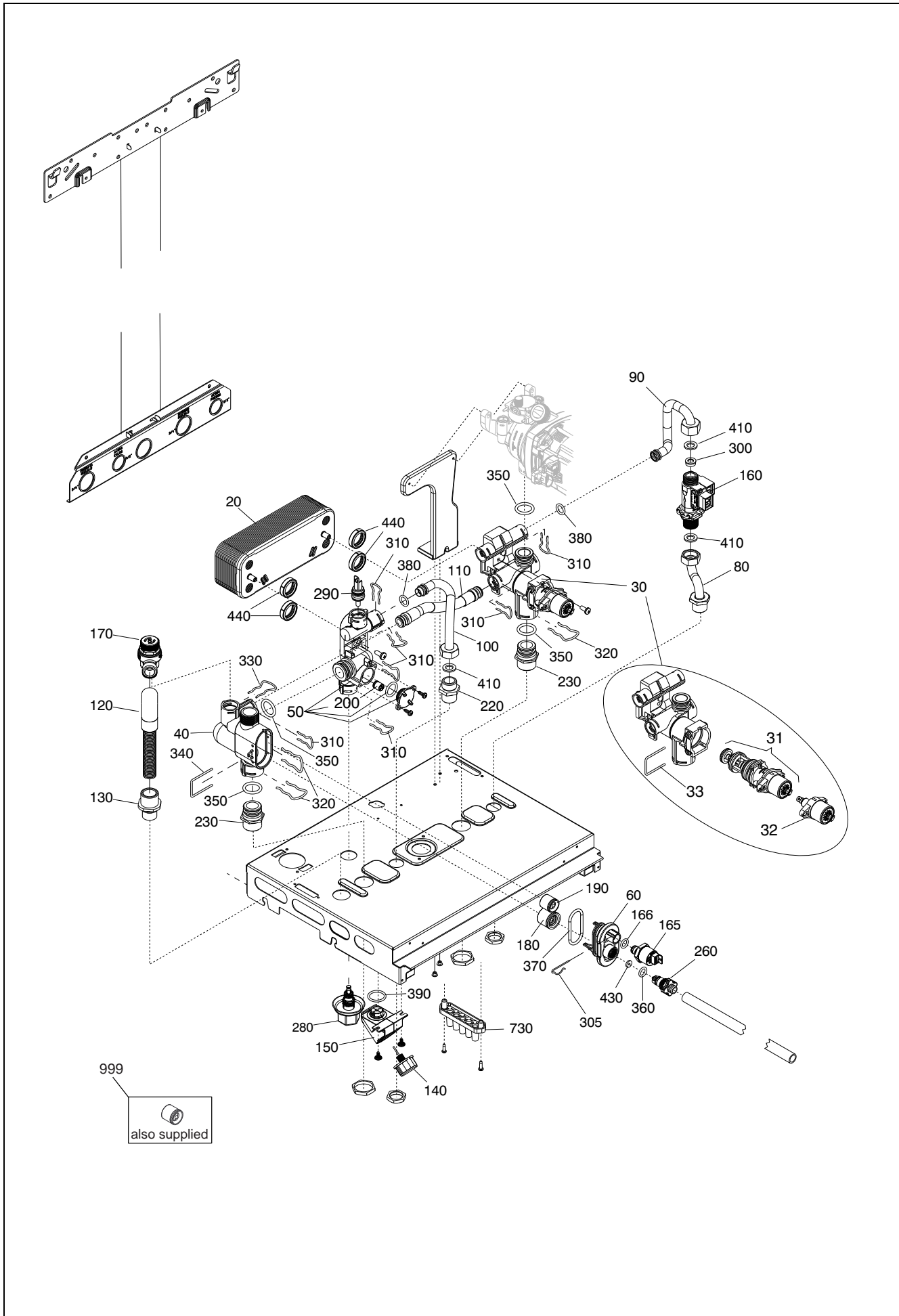
# RESIDENCE



MODEL	PART NUMBER	
	MTN	GPL
Residence 35 KIS	20139527	-

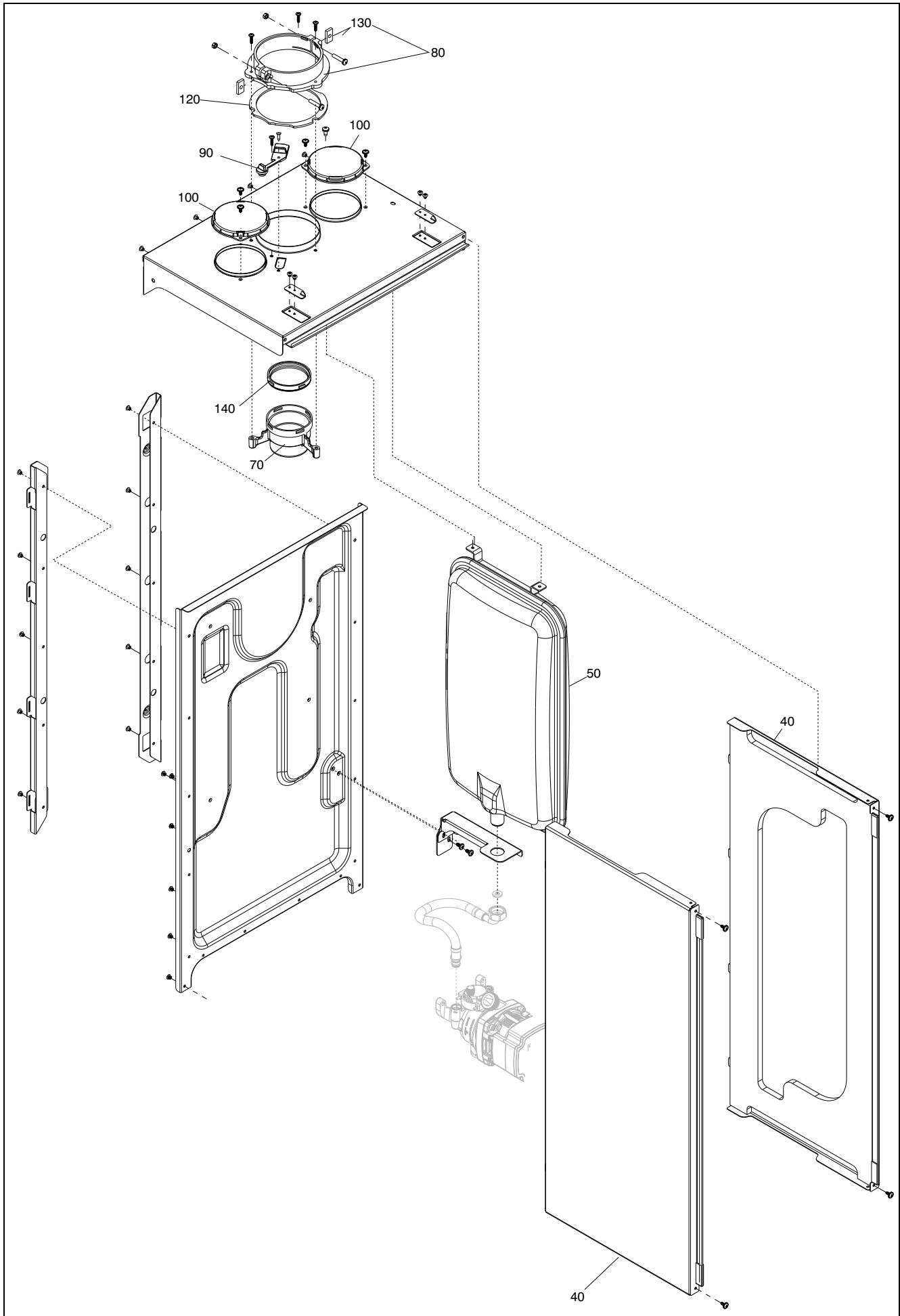


POS.	DESCRIPTION	35kis
10	User interface PCB	4R106929
20	Front control panel	4R106919
30	Electric parts cover	4R105495
50	Printed circuit board	4R106767
60	Rolling hinge	4R105512
70	Instrumental panel fastener	4R105513
90	Washer	4R105461
210	Front panel	4R105766

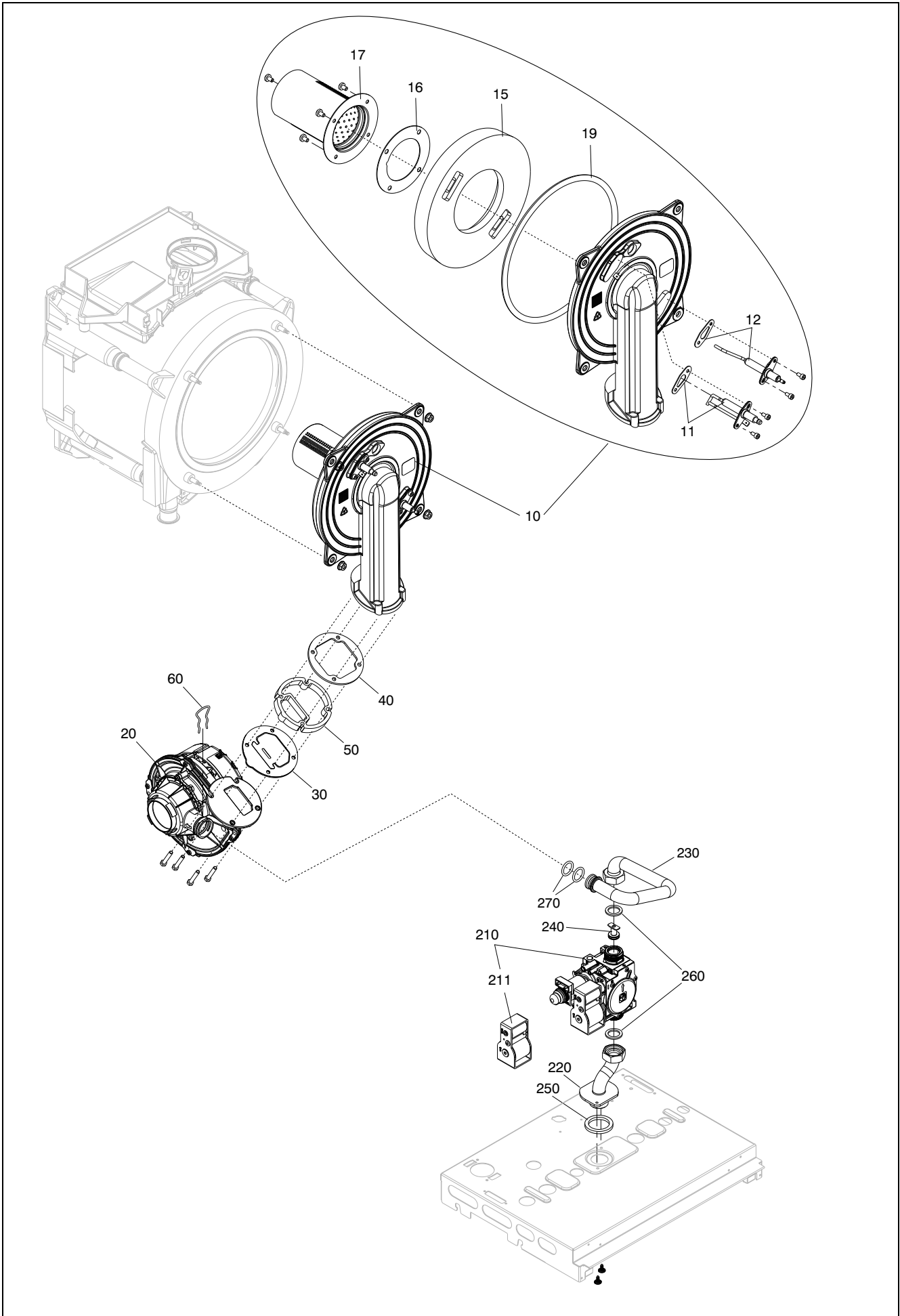




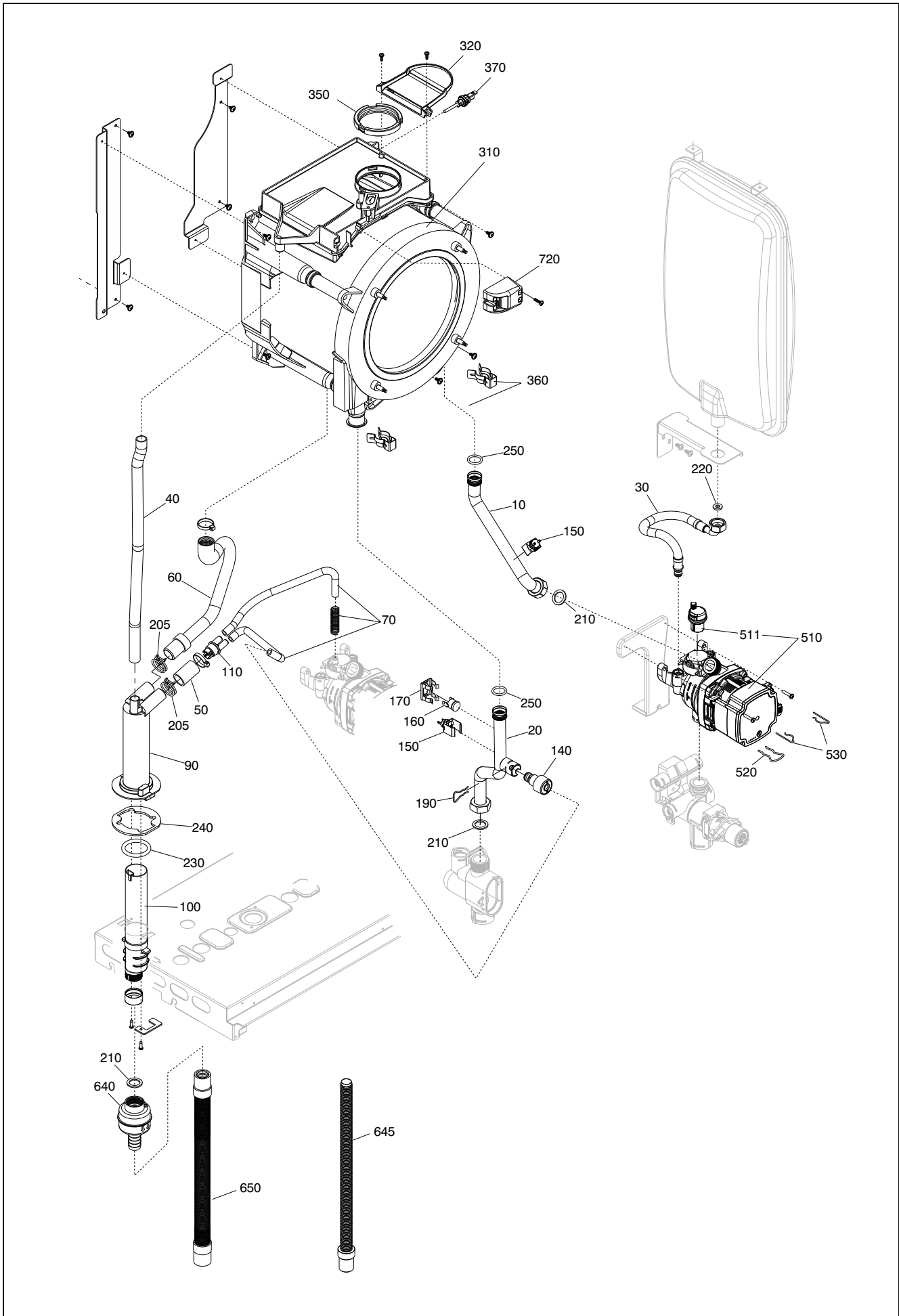
POS.	DESCRIPTION	35kis
20	Heat exchanger	4365587
30	Three-way valve	4R105459
31	Stepper actuator and cartridge	4R105515
32	Stepper actuator	4R105516
33	Clip	4R105517
40	By-pass casing	4365750
50	Filling joint	4R104664
60	Cover for by-pass assembly	4365753
80	Pipe	4365736
90	Pipe	4365733
100	Pipe	4366917
110	Pipe	4365732
120	Valve discharge pipe	4R105462
130	Manifold	4R105487
140	Quick primer pressure gauge	4R105908
150	Water gauge carrier	4R105520
160	Dhw actuator	4R100477
165	Pressure transducer	4367069
166	O-ring	4364959
170	Safety valve	4R001077
180	Non return valve	4365749
190	High head by-pass valve	4365043
200	Non return valve	4366134
220	Nipple	4365762
230	Fitting/union	4365763
260	Cock	4365752
280	Filling cock and washer	4R106931
290	NTC sensor	4365765
300	Pink Flow restrictor	4365711
305	Clip	4364751
310	Clip	4365761
320	Clip	4365623
330	Clip	4365764
340	Clip	4365768
350	O-ring	4364282
360	O-ring	4365770
370	O-ring	4365769
380	O-ring	4365766
390	O-ring	4365406
410	Washer	4363391
430	Washer	4365771
440	Washer	4365767
730	Five positions fairlead	4R105529
999	Low head by-pass valve	4366850



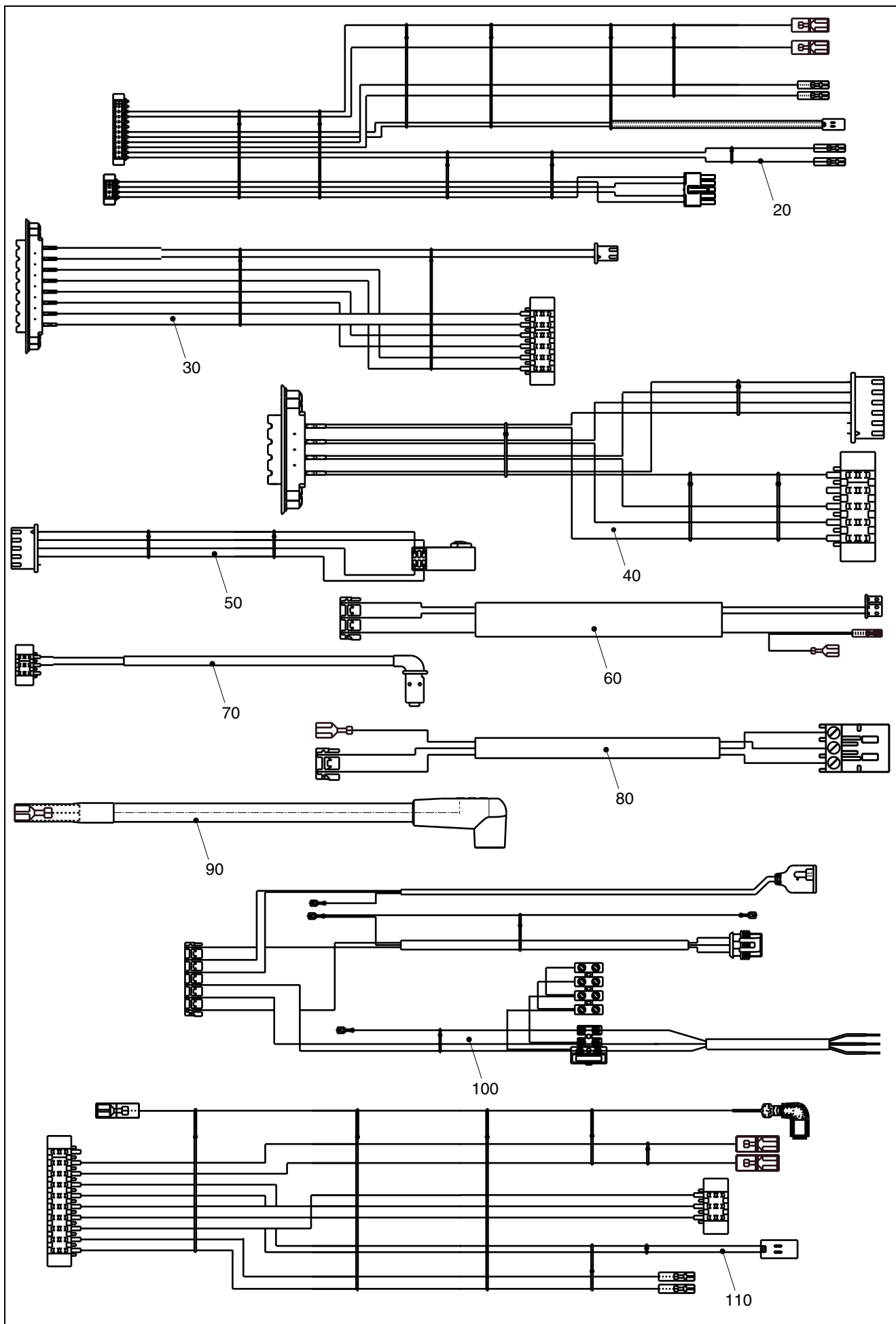
POS.	DESCRIPTION	35kis
40	Side panel	4R106938
50	9 lt. expansion tank	4R105768
70	Flue drain connection	4365881
80	Fumes flange	4R105530
90	Cap smoke analysis	4R105531
100	Hole cover	4366888
120	Flange gasket	4R105532
130	Flange gasket	4R105533
140	Washer Ø 60	4365889



POS.	DESCRIPTION	35kis
10	Air/gas manifold	4R105504
11	Ignition electrode	4R105488
12	Sensing electrode	4R105484
15	Insulation panel	4R105490
16	Seal burner	4R105492
17	Premix burner	4R105507
19	Washer	4R105485
20	Integrated fan	4R105505
30	Non return valve	4R105493
40	Washer	4R105483
50	Spacer	4R105491
60	Clip	4365764
210	Antisticking gas valve	4R105535
211	Gas valve solenoid	4R000824
220	Pipe	4R105460
230	Pipe	4R105501
240	Ø 5.2 gas valve diaphragm	4R106939
250	Gasket	4R105534
260	Washer	4363389
270	Washer	4367112



POS.	DESCRIPTION	35kis
10	Pipe	4R105464
20	Pipe	4R105500
30	Flexible pipe	4R105470
40	Condensation outlet tube	4R105536
50	Pipe	4R105467
60	Condensing pipe	4R001150
70	Tube kit	4R105497
90	Trap upper body	4R105537
100	Trap lower body	4R105538
110	Adapter siphon condensate drain	4R105482
140	Cock	4366392
150	NTC Detector	4R101035
160	High limit thermostat	4366881
170	Clip	4363608
190	Clip	4366394
205	Hose clamp	4R106933
210	Washer	4363389
220	Washer	4363391
230	O ring	4R105539
240	Trap gasket	4R105540
250	O ring	4R106930
310	Condensing exchanger	4R105503
320	Rain coat for exchanger	4R105486
350	Washer Ø 60	4366238
360	Spring pipe	4366958
370	Flue sensor	4R105463
510	6m. H3 pump	4R105549
511	Air vent bottle	4365707
520	Clip	4365764
530	Clip	4364751
640	Safety float	4R105541
645	Pipe	4365759
650	Condensation outlet tube	4R102771
720	Ignition transformer	4366419





POS.	DESCRIPTION	35kis
20	Combustion cable	4R106932
30	External utilities cable	4R106935
40	Bus wiring harness	4R106934
50	Three-way valve cable	4R105476
60	Flame wiring harness	4R105475
70	Pump cable (PWM)	4R105542
80	Fan wiring harness	4R105474
90	Ignition electrode wiring harness	4R105472
100	Power wiring harness	4R105473
110	Low tension cable	4R106927

---

# RIELLO

---

Riello reserve the right to change the specifications without prior notice.  
Consumers' statutory rights are not affected.